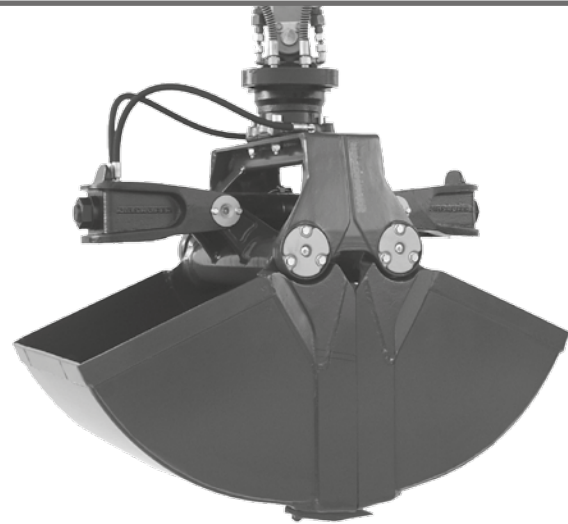


# C10H

# Clamshell Bucket

**Robust clamshell bucket for excavators up to 10t / 22000 lbs operating weight.**

- Long life is ensured due to the use of 500 HB steel in the manufacture of cutting edges.
- Reduced wear resulting from generously dimensioned bearing system.
- Maximum loading height is achieved through the compact design.
- Excellent digging characteristics are the result of high closing forces (37 kN / 8140 lbf at an operating pressure of 32 MPa / 4608 psi).



Clamshell Bucket C10H							
Type	Width E (mm/in)	Opening A (w/o teeth) (mm/in)	Height C max. (incl. teeth) (mm/in)	Volume (litre/c.y.)	Number of teeth	Self weight (kg/lbs)	Load capacity (kg/lbs)
C10H-40	400 / 15.75	1425 / 56.10	1150 / 45.28	170 / 0.22	3	285 / 627	3000 / 6600
C10H-50	500 / 19.69	1425 / 56.10	1150 / 45.28	220 / 0.29	5	305 / 671	3000 / 6600
C10H-65	650 / 25.59	1425 / 56.10	1150 / 45.28	290 / 0.38	5	320 / 704	3000 / 6600
C10H-80	800 / 31.50	1425 / 56.10	1150 / 45.28	355 / 0.46	9	345 / 759	3000 / 6600
C10H-100	1000 / 39.37	1425 / 56.10	1150 / 45.28	450 / 0.59	9	375 / 825	3000 / 6600
C10H-120	1200 / 47.24	1425 / 56.10	1150 / 45.28	540 / 0.71	9	400 / 880	3000 / 6600

**Package consists of:** clamshell bucket, bolt-on teeth, **KINSHOFER** rotator, non-return valve and hose guard

**KINSHOFER Rotator**  
 Continuous rotation and two oil passages. Overload protection is ensured by pressure relief valves.

Type	Upper connection (width x pin-Ø) (mm/in)	Torque (Nm/ft.lbs)	Moment of deflection max. (Nm/ft.lbs)
KM 06 F140-40	84 x 40 / 3.31 x 1.57	1000 / 740	8500 / 6270

Accessories	
Type	Description
KM 501 6t-12t	upper suspension without pendulum damper
KM 511 6t-12t	upper suspension with pendulum damper
SW08 cardanic	adapter for Lehnhoff grab exchange system SW/MS08 without suspension – up to 12t / 26400 lbs
	adapter for quick exchange systems from other manufacturers available
KM 680 9t-12t	scraper

Requirements of Excavator	
Operating pressure (open/close):	max. 32 MPa (320 bar) / 4608 psi
Pump capacity (open/close):	40 - 120 l/min / 10.57 - 31.70 GPM
Operating pressure (rotation):	max. 32 MPa (320 bar) / 4608 psi
Pump capacity (rotation):	15 - 50 l/min / 3.96 - 13.21 GPM

**Technical Drawings**

